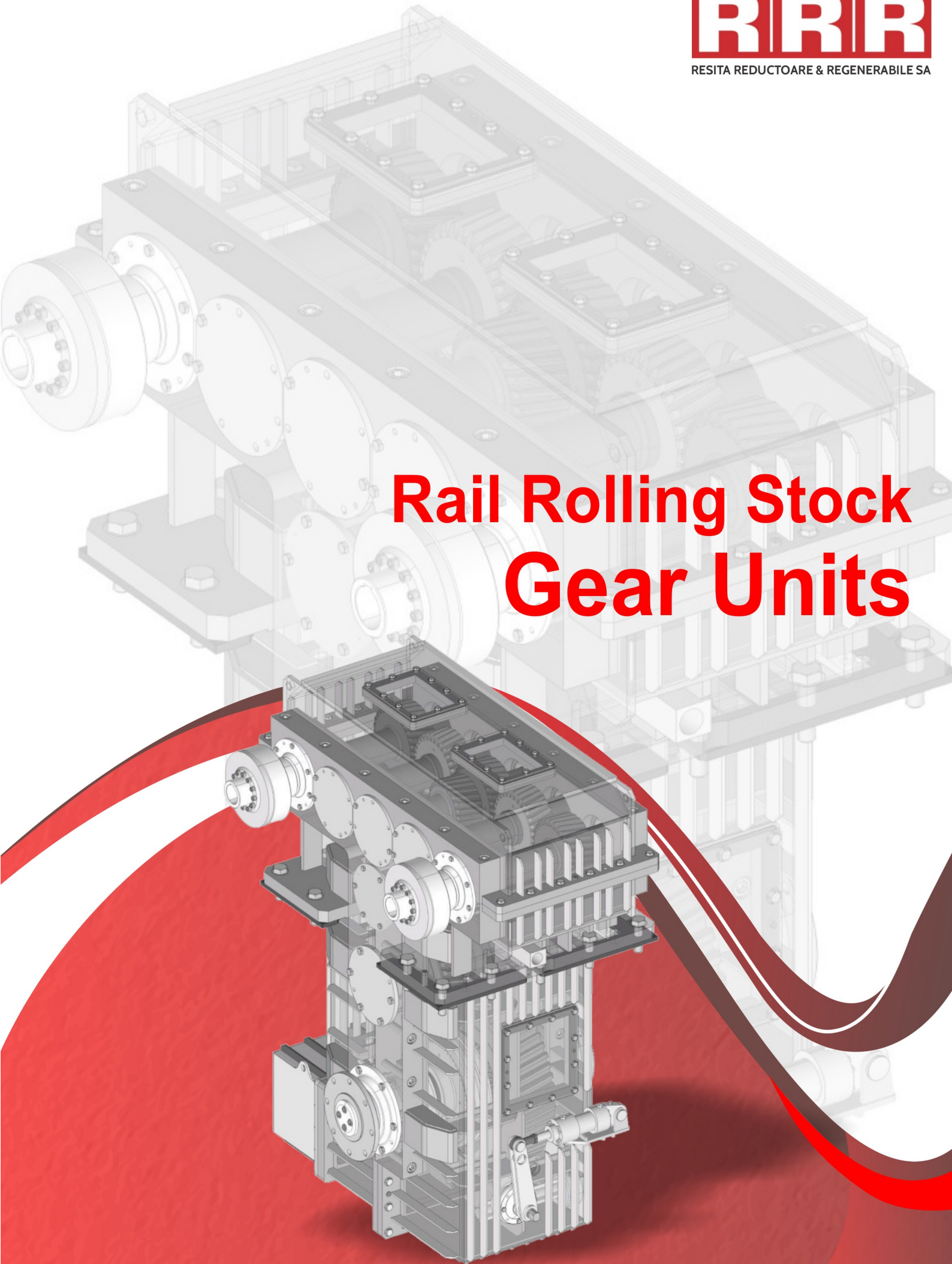
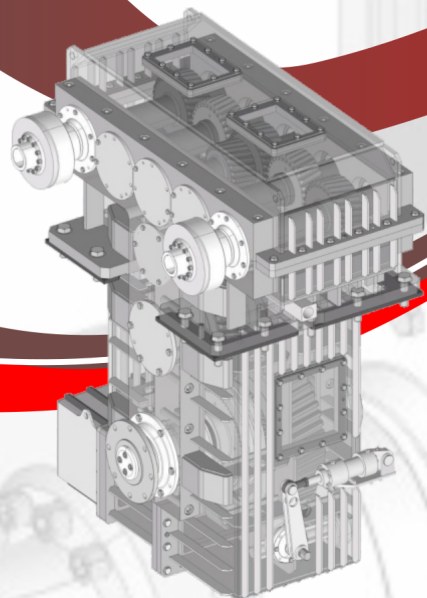


Rail Rolling Stock Gear Units

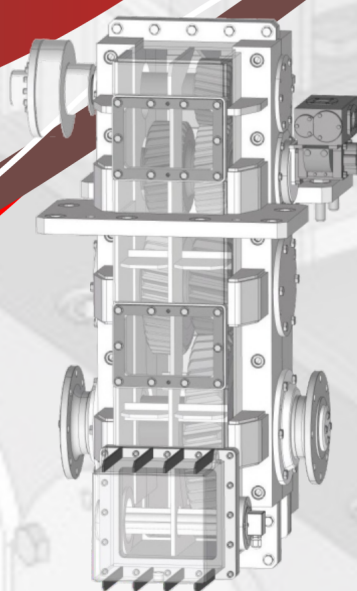


Rail Rolling Stock Gear Units

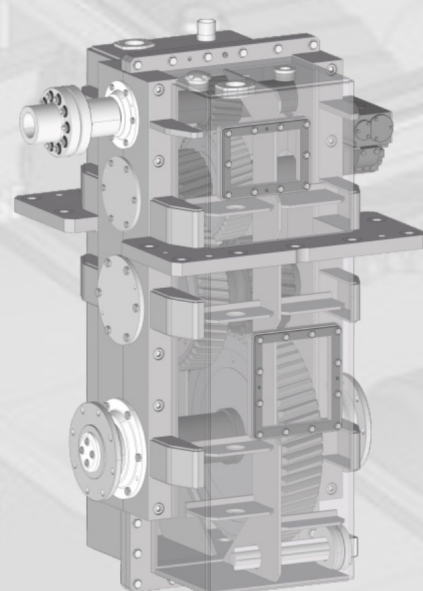
2xAB50/StCU110



CU95

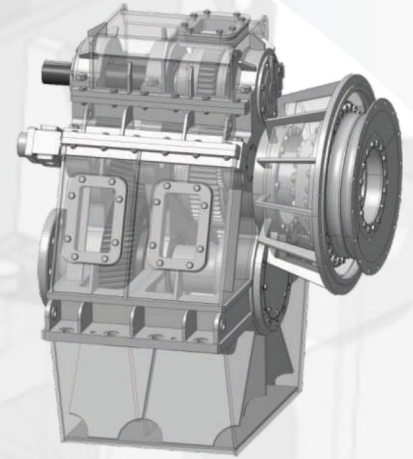
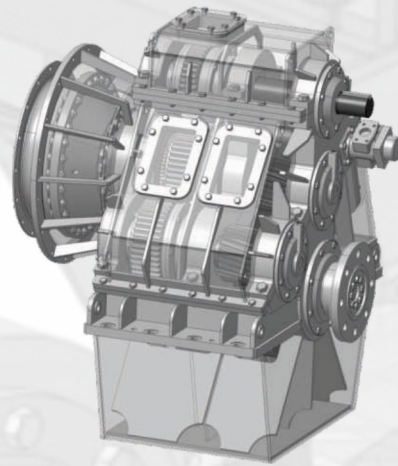
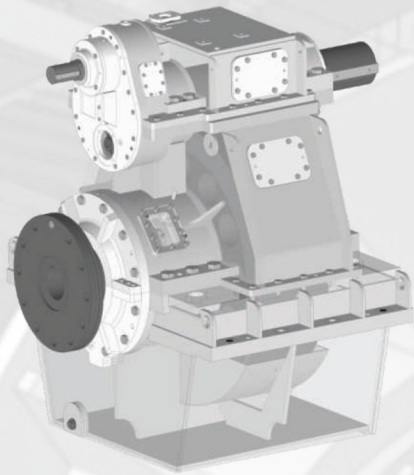


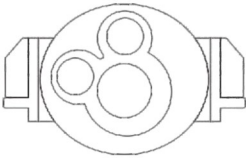
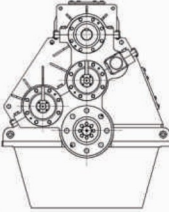
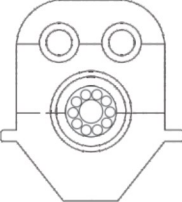
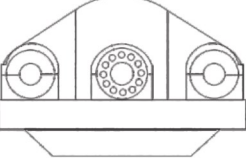
CU110



RESITA REDUCTOARE & REGENERABILE is authorised as a Railway Supplier by the Romanian Railway Authority to manufacture and supply certain critical railway products according to specific technical requirements in the railway transport industry, namely helical and bevel gears. RESITA REDUCTOARE & REGENERABILE has the railway provider authorisation.

Type	Design	Ratio	Power (kW)	Application
2xAB50/StCU110	Cylindrical gear unit driven by two electric motors, summing up by two horizontal stages, vertical offset, input shafts positioned on top, bilateral output shaft, with the possibility of disengagement of the output shaft from the transmission.	6,287	2 x 155	Electric Li-Ion batteries driven shunting locomotives with two electric motors, having the possibility of being towed in convoy on regular railway between marshalling yards.
CU95	Cylindrical gear unit , three stages, vertical offset, input shaft positioned on top, bilateral output shaft	4,687	310	Electric Li-Ion driven shunting locomotives.
CU110	Cylindrical gear unit , three stages, vertical offset, input shaft positioned on top, bilateral output shaft	13-17	155	Electric Li-Ion driven shunting locomotives.
StCU110	Cylindrical gear unit , three stages, vertical offset, input shaft positioned on top, bilateral output shaft, with the possibility of disengagement of the output shaft from the transmission.	7,465	310	Electric Li-Ion batteries driven shunting locomotives, having the possibility of being towed in convoy on regular railway between marshalling yards.



Tip Type	Descriere Design	Raport Ratio	Putere (kW) Power (kW)	Aplicații Application
SWV	 <p>Reductor naval reversibil cu o treaptă Marine reversing gear unit single-stage</p>	1...51.000	Propulsie navală pentru motoare nereversibile și elice cu pas fix Marine propulsion plants with non-reversible engines and fixed pitch propellers
AWS (BWS) SWVG SWVRS	 <p>Reductor naval reversibil cu o treaptă (două trepte) cu lagări axiali integrați Marine reversing gear unit single-stage (two stages), thrust bearing integrated</p>	1,5...6 (10)5.000	
SWUF	 <p>Reductor naval reversibil cu o treaptă cu lagări axiali integrați Marine reversing gear unit single-stage, thrust bearing integrated</p>	1...3,4		
ASL	 <p>Reductor naval într-o singură treaptă, cu două motoare de acționare și lagăr axial integrat Two-engine marine gear unit, single-stage, thrust bearing integrated</p>	2...615.000	Propulsie navală cu două motoare pe intrare și un arbore de ieșire către elice Heavy-duty propulsion plants with two engines on one propeller shaft

RRR[®]
RESITA REDUCTOARE & REGENERABILE SA



RRR[®]
RESITA REDUCTOARE & REGENERABILE SA

Fagaraşului Str. No 30
320151, Resita
Romania
Phone +40 255 229321
Fax +40 255 229343
E-mail contact@resitareductoare.com
www.resitareductoare.com